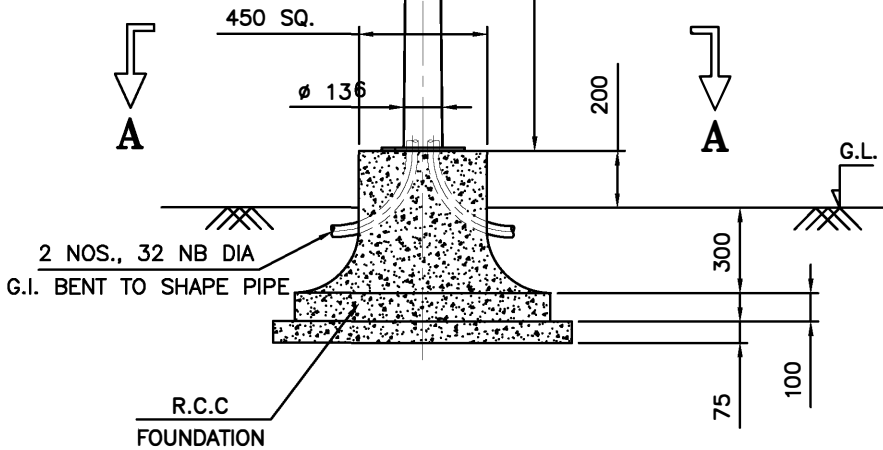


SECTION A-A



SECTIONAL ELEVATION

01 **19 W POLE LIGHTS WITH 3 MTR HIGH POLE OF M/s SCHREDER MAKE MODEL 'HAPILED' OR EQUIVALENT APPROVED MAKE**